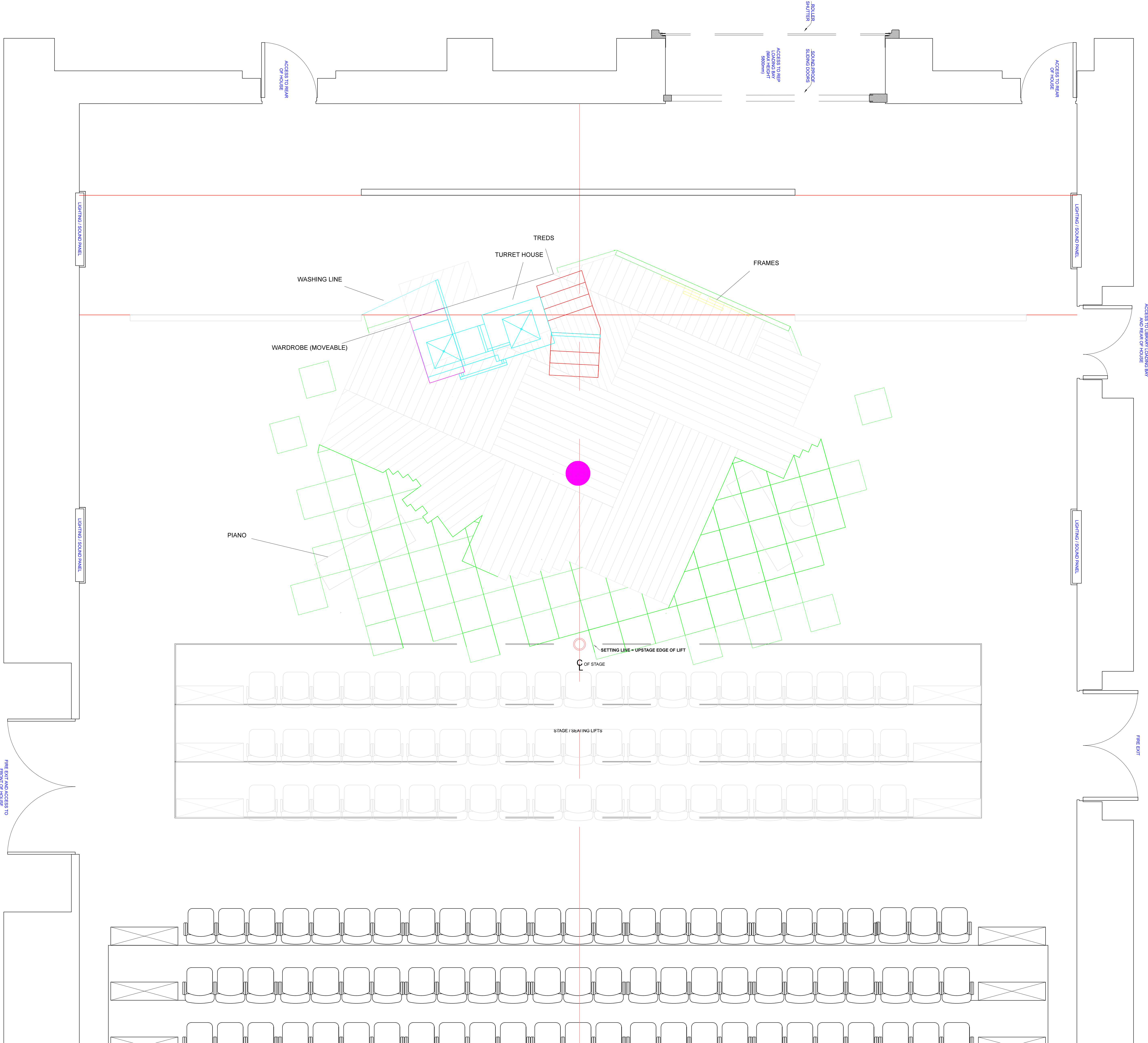
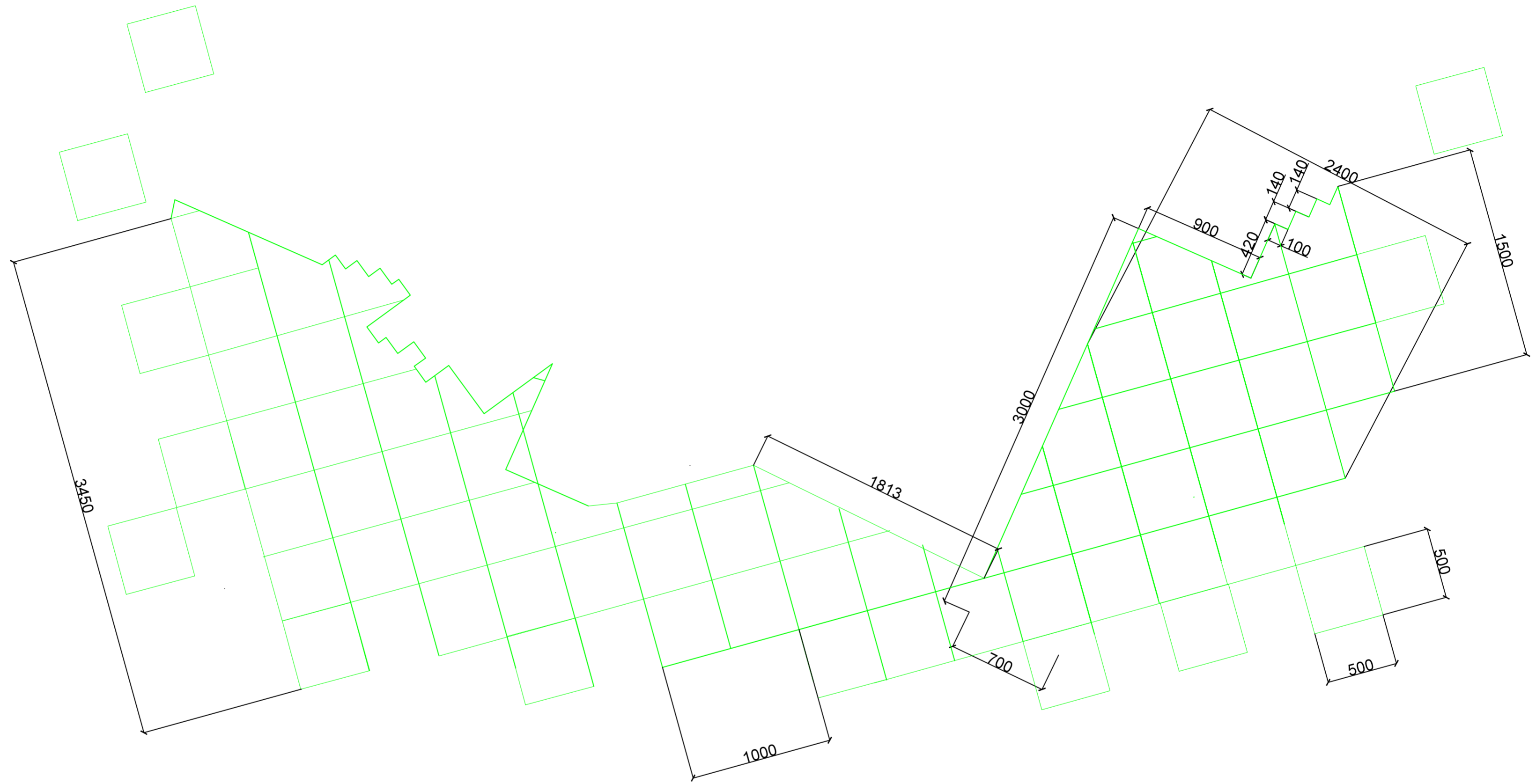


THE STUDIO (PLAN VIEW)



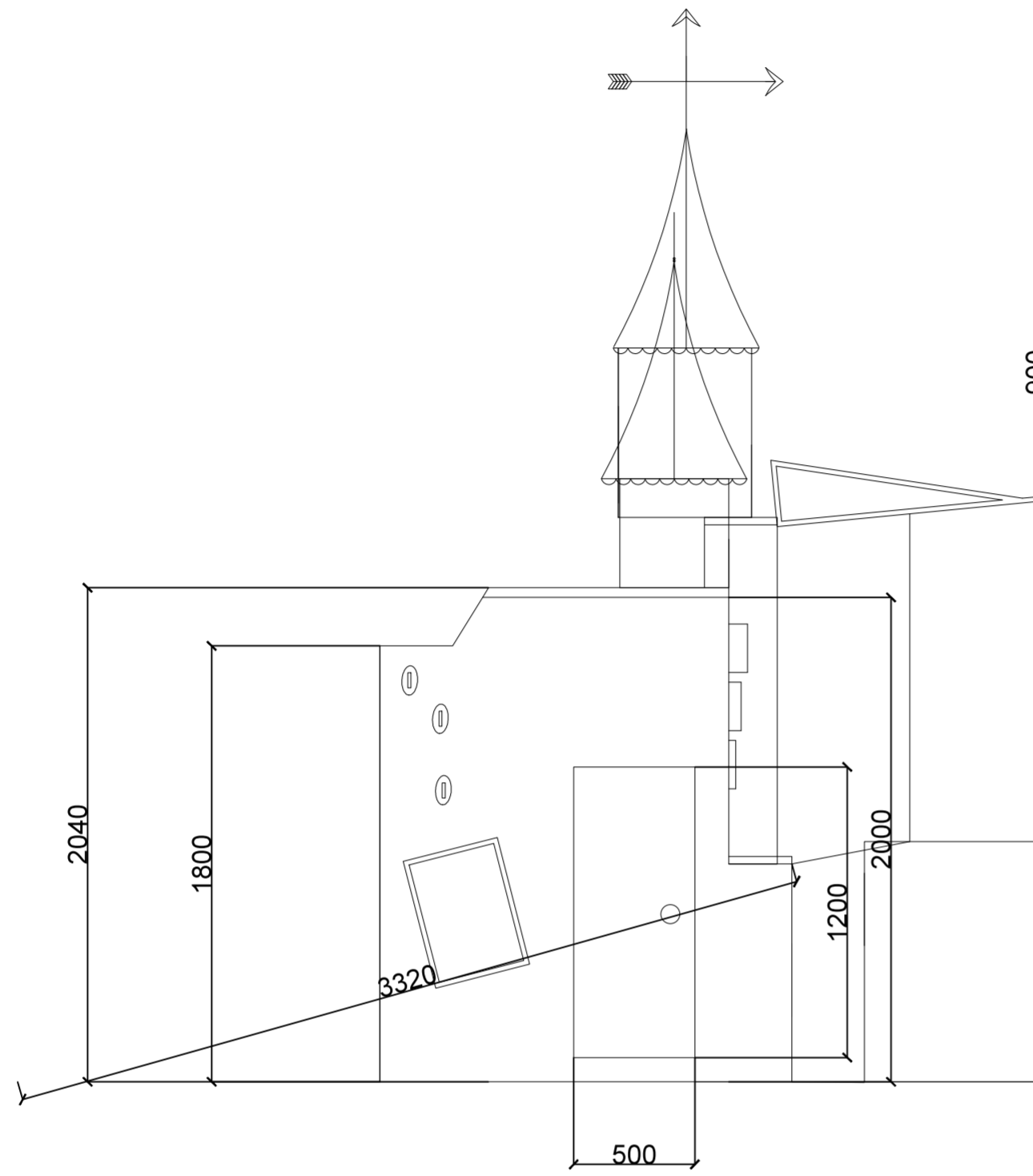
TITLE: WINNIE THE WITCH		
DESIGNER: RACHAEL CANNING	DATE DRAWN: 14/02/2017	DWG NO:1
DIRECTOR:	SCALE:1.25 @A0	THEATRE: BIRMINGH.
DRAWING BY: LUNED EVANS	REVISION NO/DATE:	



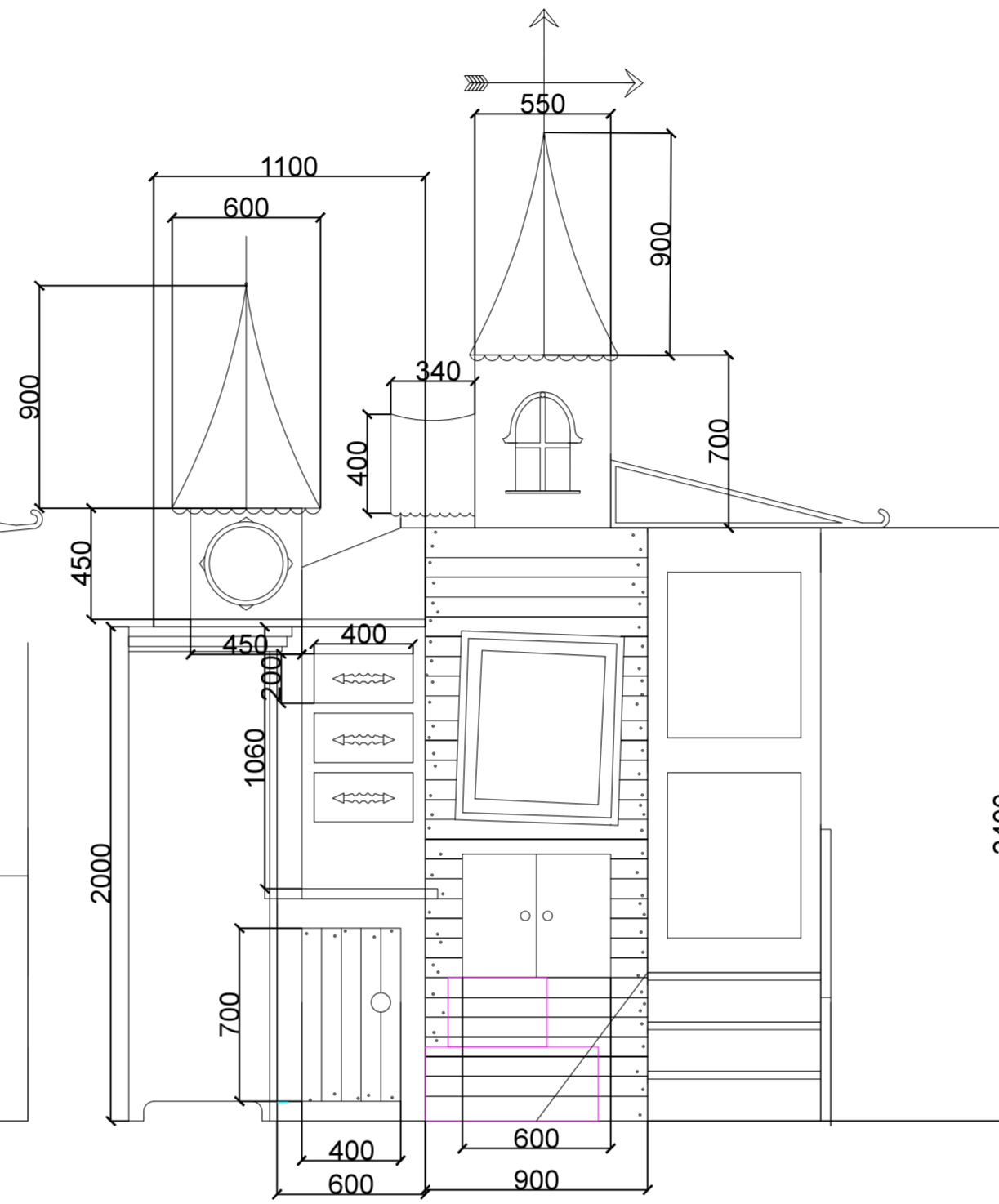
TITLE: WINNIE THE WITCH - GRASS FLOOR PLAN		
DESIGNER: RACHAEL CANNING	DATE DRAWN: 14/02/2017	PDF NO:3
DIRECTOR:	SCALE:1.25 @A2	THEATRE: BIRMINGHAM
DRAWING BY: LUNED EVANS	REVISION NO/DATE:	

LAN
F NO:2
EATRE: :MINGHAM

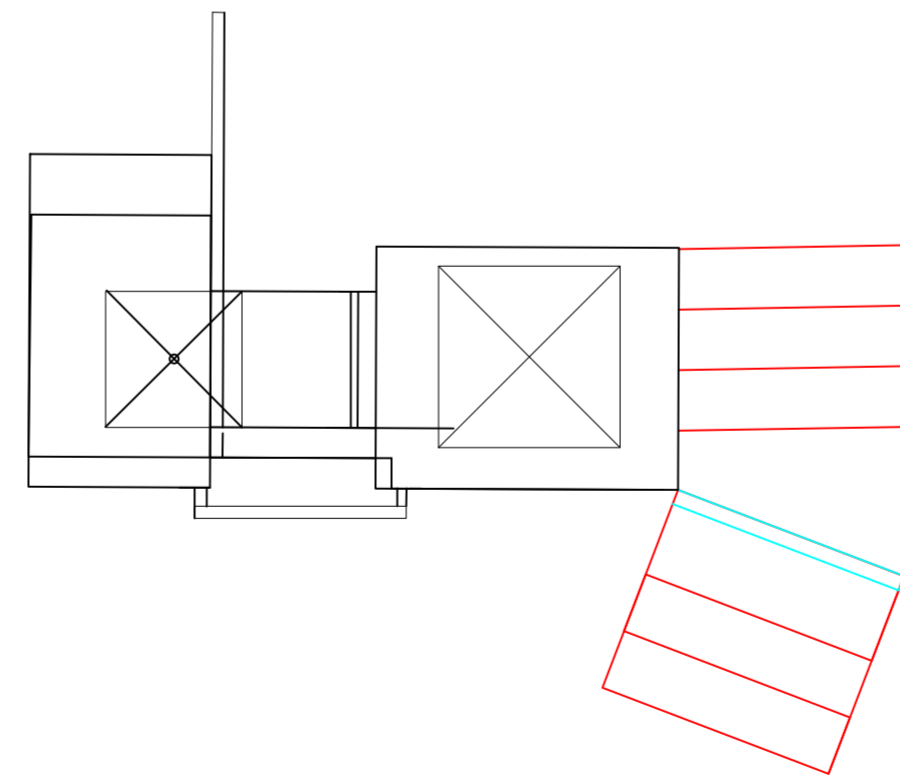
SIDE ELEVATION



FRONT ELEVATION

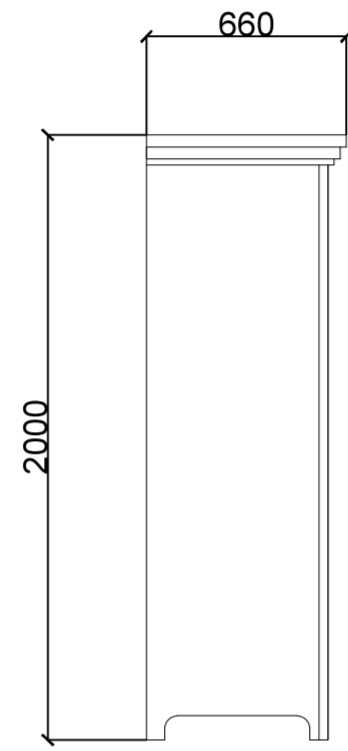


PLAN

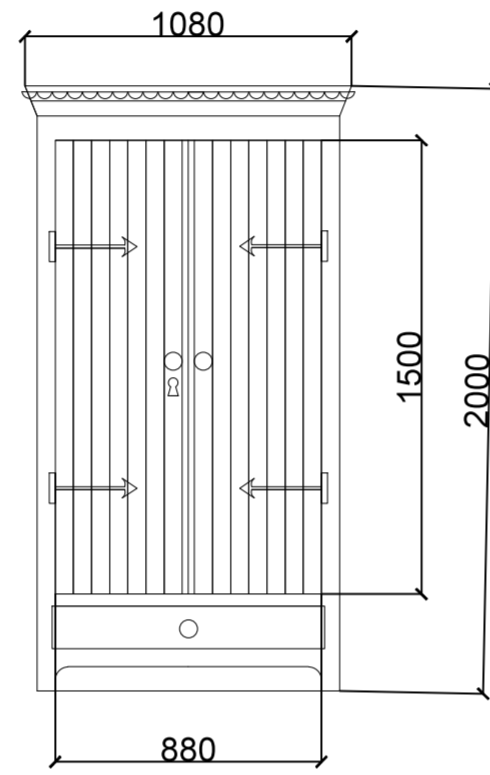


TITLE: WINNIE THE WITCH - TURRET HOUSE		
DESIGNER: RACHAEL CANNING	DATE DRAWN: 13/02/2017	PDF NO:5
DIRECTOR:	SCALE:1.25 @A2	THEATRE: BIRMINGHAM
DRAWING BY: LUNED EVANS	REVISION NO/DATE:	

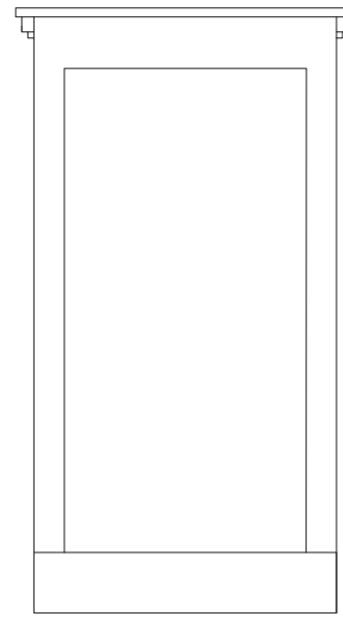
SIDE ELEVATION



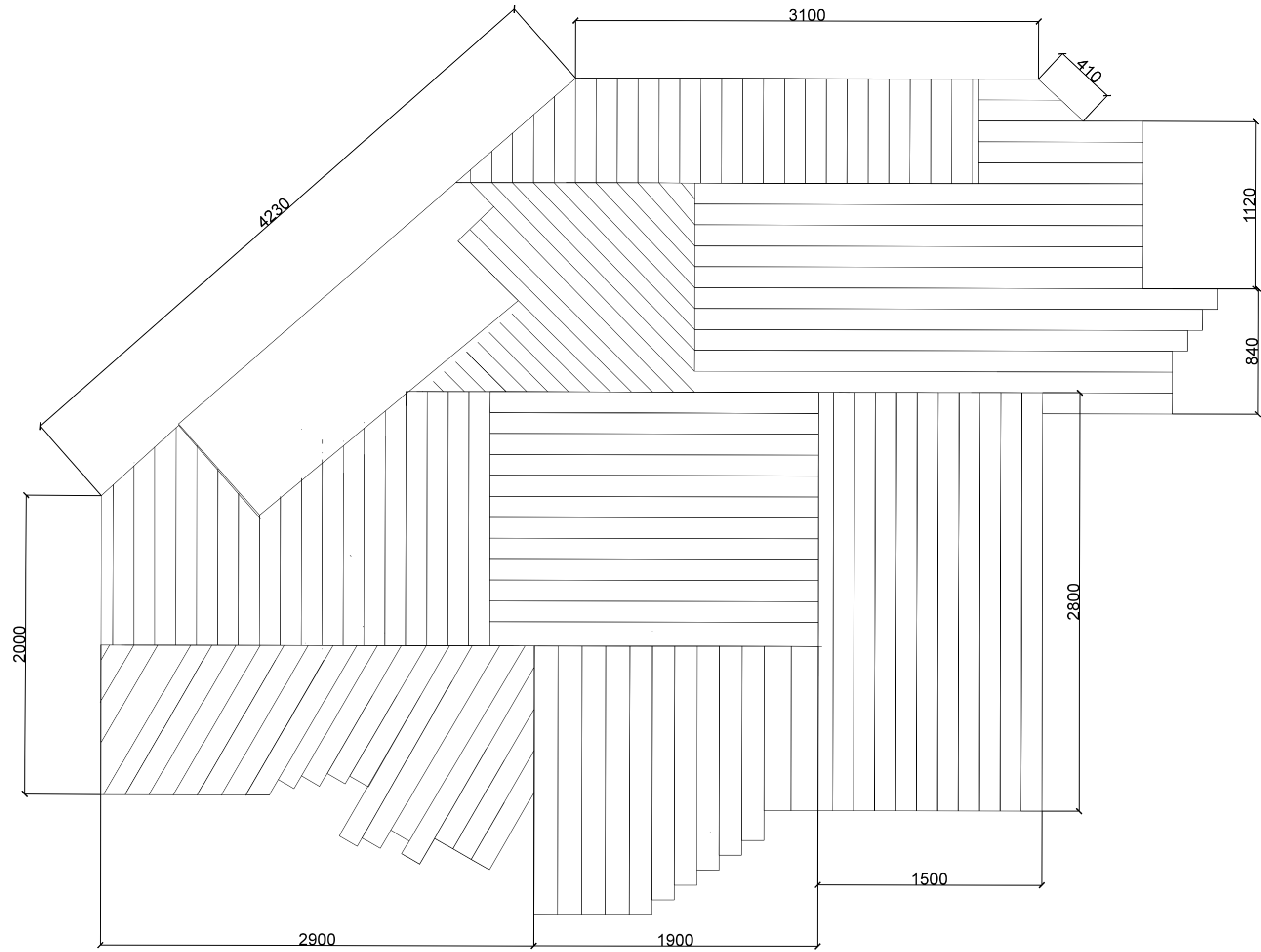
FRONT ELEVATION



BACK ELEVATION



TITLE: WINNIE THE WITCH		
DESIGNER: RACHAEL CANNING	DATE DRAWN: 13/02/2017	PDF NO:5
DIRECTOR:	SCALE:1.25 @A2	THEATRE: BIRMINGHAM
DRAWING BY: LUNED EVANS	REVISION NO/DATE:	



TITLE: WINNIE THE WITCH - WOODEN PANEL FLOOR PLAN		
DESIGNER: RACHAEL CANNING	DATE DRAWN: 14/02/2017	PDF NO:2
DIRECTOR:	SCALE:1.25 @A2	THEATRE: BIRMINGHAM
DRAWING BY: LUNED EVANS	REVISION NO/DATE:	