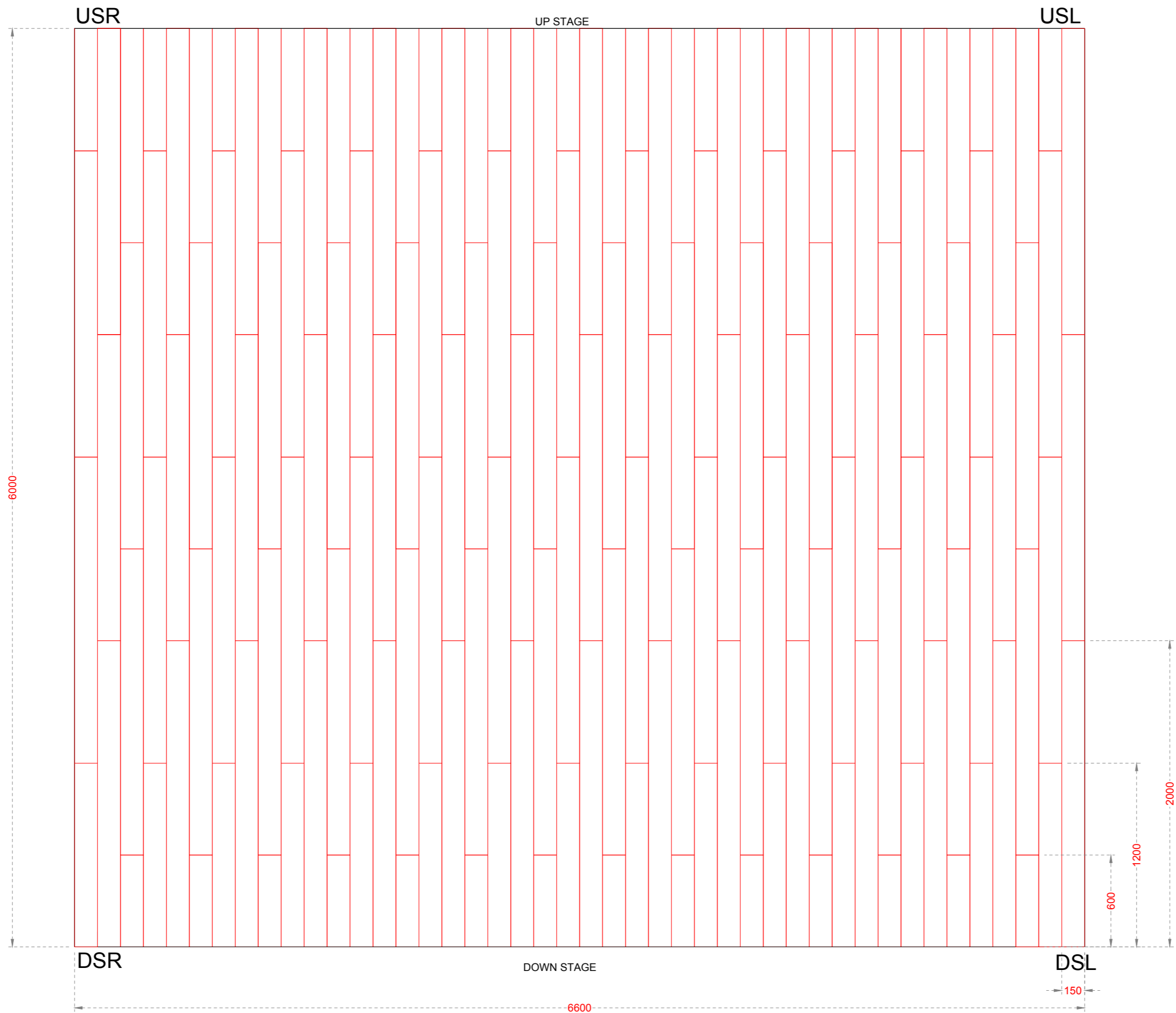


FLOOR PLAN - WOODEN PANELS



**PLEASE NOTE**

NO LIABILITY IS ACCEPTED FOR ANY ACTION RESULTING FROM THIS DRAWING, HOWEVER CAUSED. THIS DRAWING REPRESENTS VISUAL CONCEPTS AND CONSTRUCTION SUGGESTIONS ONLY. THE DRAUGHTSPERSON IS UNQUALIFIED TO DETERMINE STRUCTURAL APPROPRIATENESS OF THIS DESIGN AND WILL NOT BE RESPONSIBLE FOR IMPROPER ENGINEERING, CONSTRUCTION, RIGGING, HANDLING OR USE OF THIS SCENERY. IF PROFESSIONAL ADVICE/ DOCUMENTATION IS RECOMMENDED, IT MUST BE SOUGHT. ALL MATERIALS AND CONSTRUCTION MUST COMPLY WITH LOCAL FIRE AND SAFETY REGULATIONS. IF IN DOUBT... ASK!

ALL DIMENSIONS IN MM UNLESS STATED OTHERWISE. DO NOT SCALE FROM THIS DRAWING AND VERIFY ALL DIMENSIONS ON SITE.

Tel: 020 7452 3333  
 Fax: 020 7452 3430  
 tuned@nationaltheatre.org.uk

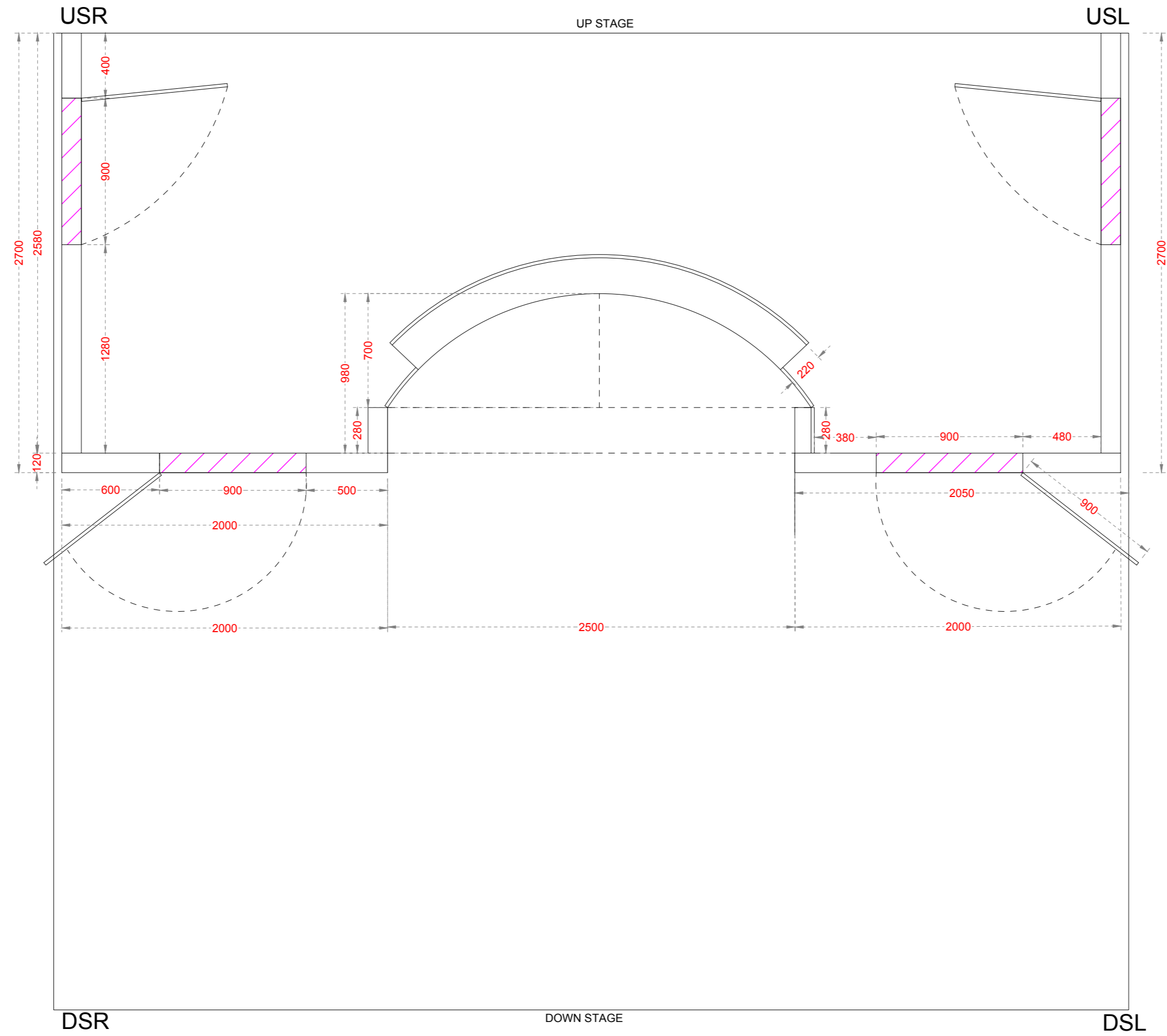
PROJECT: <b>#PROJECT</b>	VENUE: <b>#VENUE</b>
SHEET TITLE: <b>INGS.dwg</b>	
<b>###</b>	
DIRECTOR: <b>#DIR</b>	LIGHTING DESIGNER: <b>#LX</b>
DESIGNER: <b>#DES</b>	SOUND DESIGNER: <b>#SND</b>
	PRODUCTION MANAGER: <b>#PM</b>
	3D OFFICE CONTACT: <b>#3DOFFICE X###</b>
	DRAWN BY: <b>LUNED</b>
	APPROVED BY: <b>NOT CHECKED</b>

**PROVISIONAL**

DATE: 11/01/18 SCALE: Custom1.25 @A2L

REF. NUMBER: Y TAD/CAD/DRA## /9

FLOOR PLAN



PLEASE NOTE

NO LIABILITY IS ACCEPTED FOR ANY ACTION RESULTING FROM THIS DRAWING, HOWEVER CAUSED. THIS DRAWING REPRESENTS VISUAL CONCEPTS AND CONSTRUCTION SUGGESTIONS ONLY. THE DRAUGHTSPERSON IS UNQUALIFIED TO DETERMINE STRUCTURAL APPROPRIATENESS OF THIS DESIGN AND WILL NOT BE RESPONSIBLE FOR IMPROPER ENGINEERING, CONSTRUCTION, RIGGING, HANDLING OR USE OF THIS SCENERY. IF PROFESSIONAL ADVICE/ DOCUMENTATION IS RECOMMENDED, IT MUST BE SOUGHT. ALL MATERIALS AND CONSTRUCTION MUST COMPLY WITH LOCAL FIRE AND SAFETY REGULATIONS. IF IN DOUBT... ASK!

ALL DIMENSIONS IN MM UNLESS STATED OTHERWISE. DO NOT SCALE FROM THIS DRAWING AND VERIFY ALL DIMENSIONS ON SITE.

Tel: 020 7452 3333  
 Fax: 020 7452 3430  
 tuned@nationaltheatre.org.uk

PROJECT: #PROJECT  
 SHEET TITLE: dwg  
 #####

DESIGNER: #DES

LIGHTING DESIGNER: #LX

SOUND DESIGNER: #SND

PRODUCTION MANAGER: #PM

3D OFFICE CONTACT: #3DOFFICE X###

DRAWN BY: LUNED

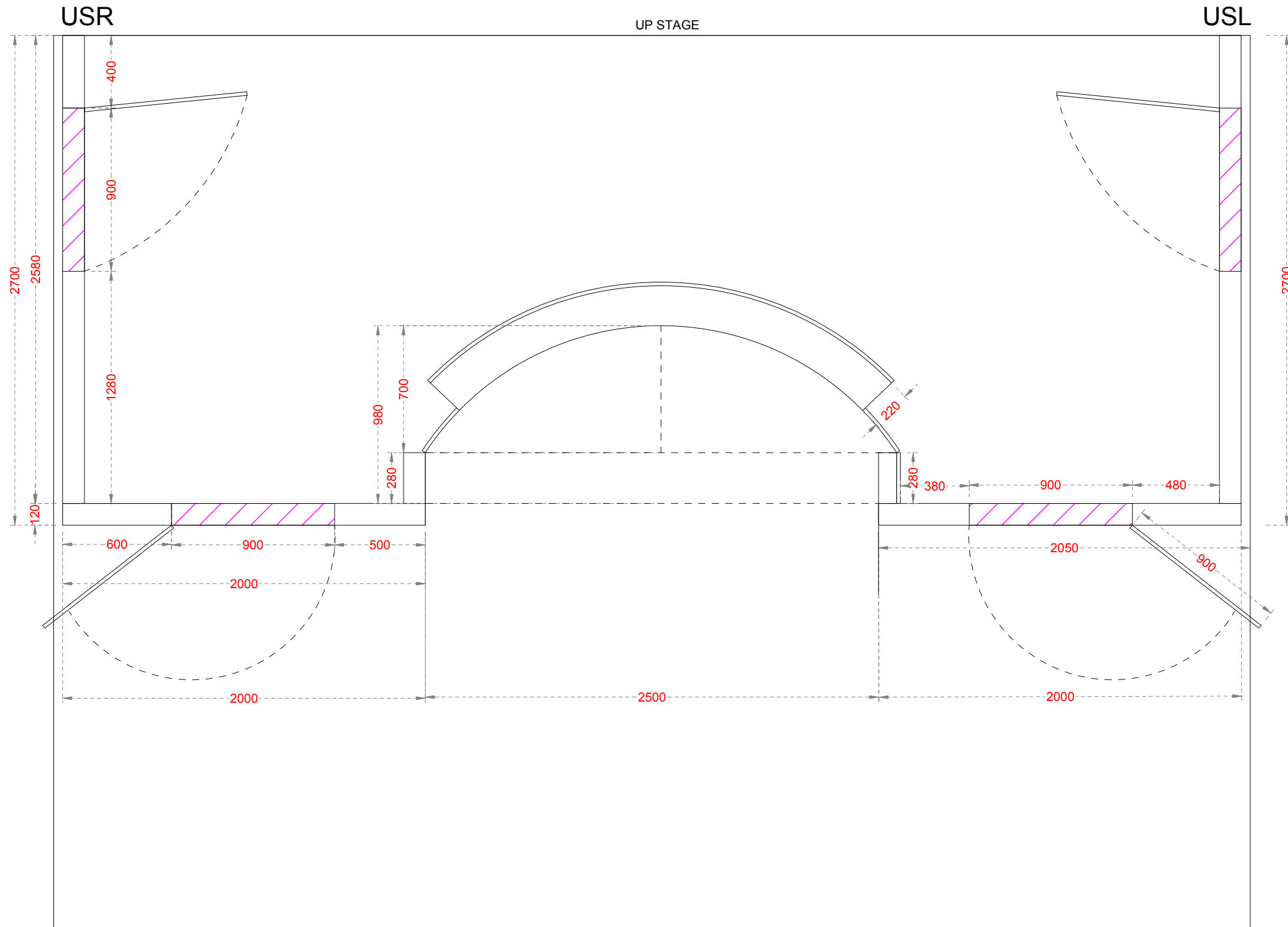
APPROVED BY: NOT CHECKED

VENUE: #VENUE

PROVISIONAL

DATE: ---- SCALE: Custom1.25 @A2L

REF. NUMBER: FLOOR/PLA/ 1. .## /9



**PLEASE NOTE**

NO LIABILITY IS ACCEPTED FOR ANY ACTION RESULTING FROM THIS DRAWING, HOWEVER CAUSED. THIS DRAWING REPRESENTS VISUAL CONCEPTS AND CONSTRUCTION SUGGESTIONS ONLY. THE DRAUGHTSPERSON IS UNQUALIFIED TO DETERMINE STRUCTURAL APPROPRIATENESS OF THIS DESIGN AND WILL NOT BE RESPONSIBLE FOR IMPROPER ENGINEERING, CONSTRUCTION, RIGGING, HANDLING OR USE OF THIS SCENERY. IF PROFESSIONAL ADVICE/ DOCUMENTATION IS RECOMMENDED, IT MUST BE SOUGHT. ALL MATERIALS AND CONSTRUCTION MUST COMPLY WITH LOCAL FIRE AND SAFETY REGULATIONS. IF IN DOUBT... ASK!

ALL DIMENSIONS IN MM UNLESS STATED OTHERWISE. DO NOT SCALE FROM THIS DRAWING AND VERIFY ALL DIMENSIONS ON SITE.

#DEPT

luned@nationaltheatre.org.uk

PROJECT:  
#PROJECT Y TAD

SHEET TITLE:  
dwg  
####

DIRECTOR:  
#DIRARWEL GRUFFYDD#LX  
DESIGNER:  
#DES ERIN MADDOCKS#SND

LIGHTING DESIGNER:  
#PMANGHARAD DAVIES#LUNED  
SOUND DESIGNER:  
#3DOFFICE X####

VENUE:  
#VENUE VARIOUS

PRODUCTION MANAGER:  
#PMANGHARAD DAVIES#LUNED  
3D OFFICE CONTACT:  
#3DOFFICE X####

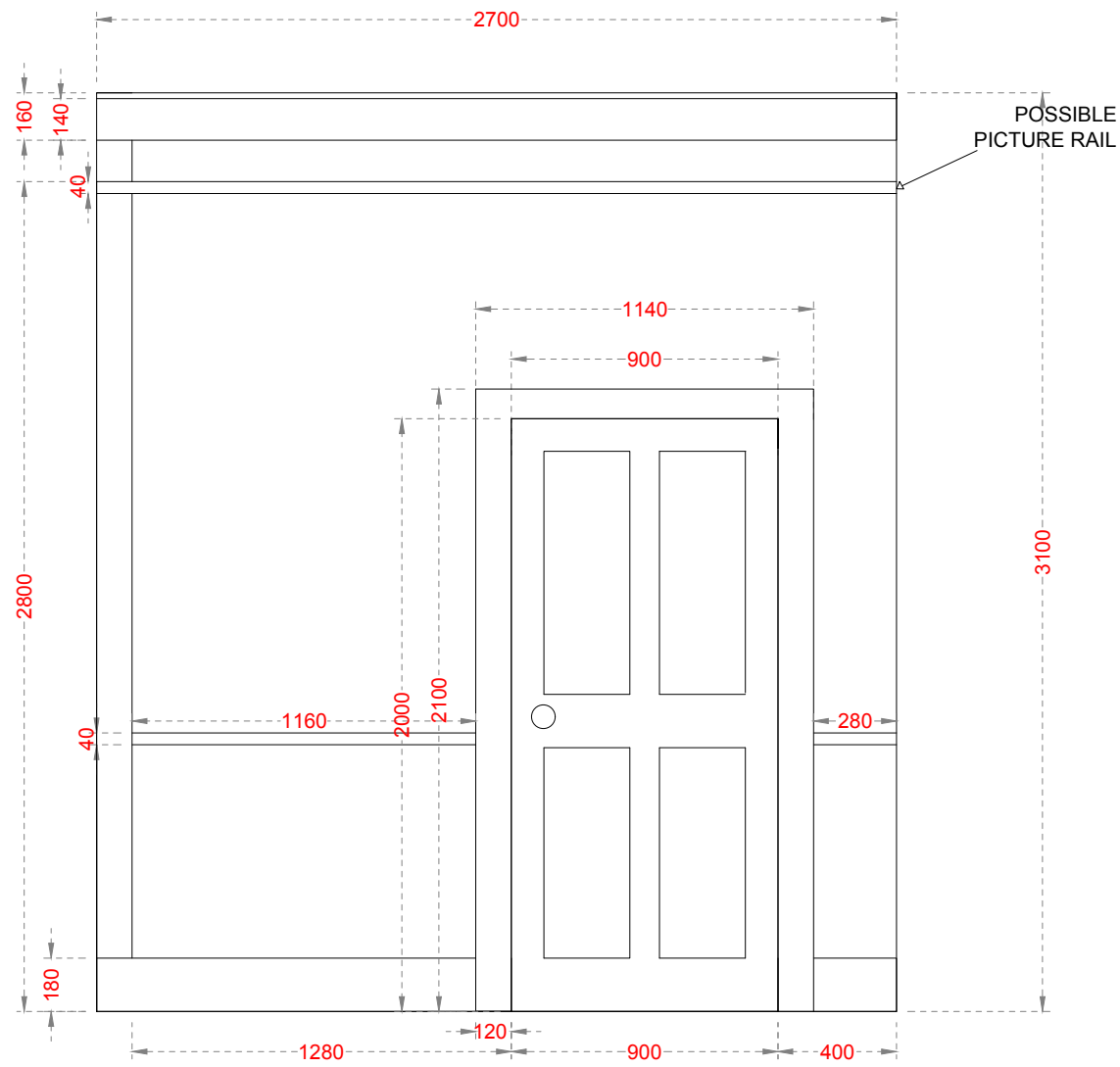
DRAWN BY:  
#PMANGHARAD DAVIES#LUNED  
APPROVED BY:  
NOT CHECKED

**PROVISIONAL**

DATE: 11/01/18 SCALE: Custom1.25

REF. NUMBER: FLOOR/PLA/ 1. ## /9

# ELEVATION - STAGE LEFT



**PLEASE NOTE**

NO LIABILITY IS ACCEPTED FOR ANY ACTION RESULTING FROM THIS DRAWING, HOWEVER CAUSED. THIS DRAWING REPRESENTS VISUAL CONCEPTS AND CONSTRUCTION SUGGESTIONS ONLY. THE DRAUGHTSPERSON IS UNQUALIFIED TO DETERMINE STRUCTURAL APPROPRIATENESS OF THIS DESIGN AND WILL NOT BE RESPONSIBLE FOR IMPROPER ENGINEERING, CONSTRUCTION, RIGGING, HANDLING OR USE OF THIS SCENERY. IF PROFESSIONAL ADVICE/ DOCUMENTATION IS RECOMMENDED, IT MUST BE SOUGHT. ALL MATERIALS AND CONSTRUCTION MUST COMPLY WITH LOCAL FIRE AND SAFETY REGULATIONS. IF IN DOUBT... ASK!

ALL DIMENSIONS IN MM UNLESS STATED OTHERWISE. DO NOT SCALE FROM THIS DRAWING AND VERIFY ALL DIMENSIONS ON SITE.

#DEPT

luned@nationaltheatre.org.uk

PROJECT:  
#PROJECT Y TAD

SHEET TITLE:  
INGS.dwg  
####

DIRECTOR:  
#DIRARWEL GRUFFYDD#LX  
DESIGNER:  
#DES ERIN MADDOCKS#SND

LIGHTING DESIGNER:  
#LX  
SOUND DESIGNER:  
#SND

PRODUCTION MANAGER:  
#PMANGHARAD DAVIES#LUNED  
3D OFFICE CONTACT:  
#3DOFFICE X####

DRAWN BY:  
#LUNED  
APPROVED BY:  
NOT CHECKED

VENUE:  
#VENUE VARIOUS

**PROVISIONAL**

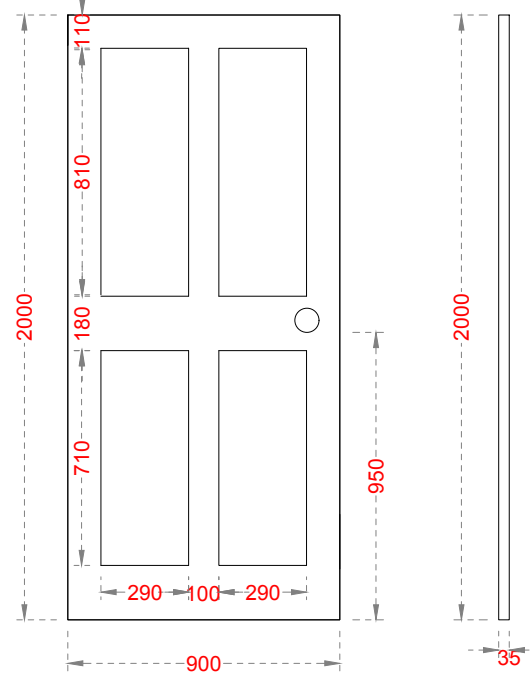
DATE: 11/01/18  
SCALE: Custom1.25

REF. NUMBER:  
Y TAD/CAD/DRA## /9

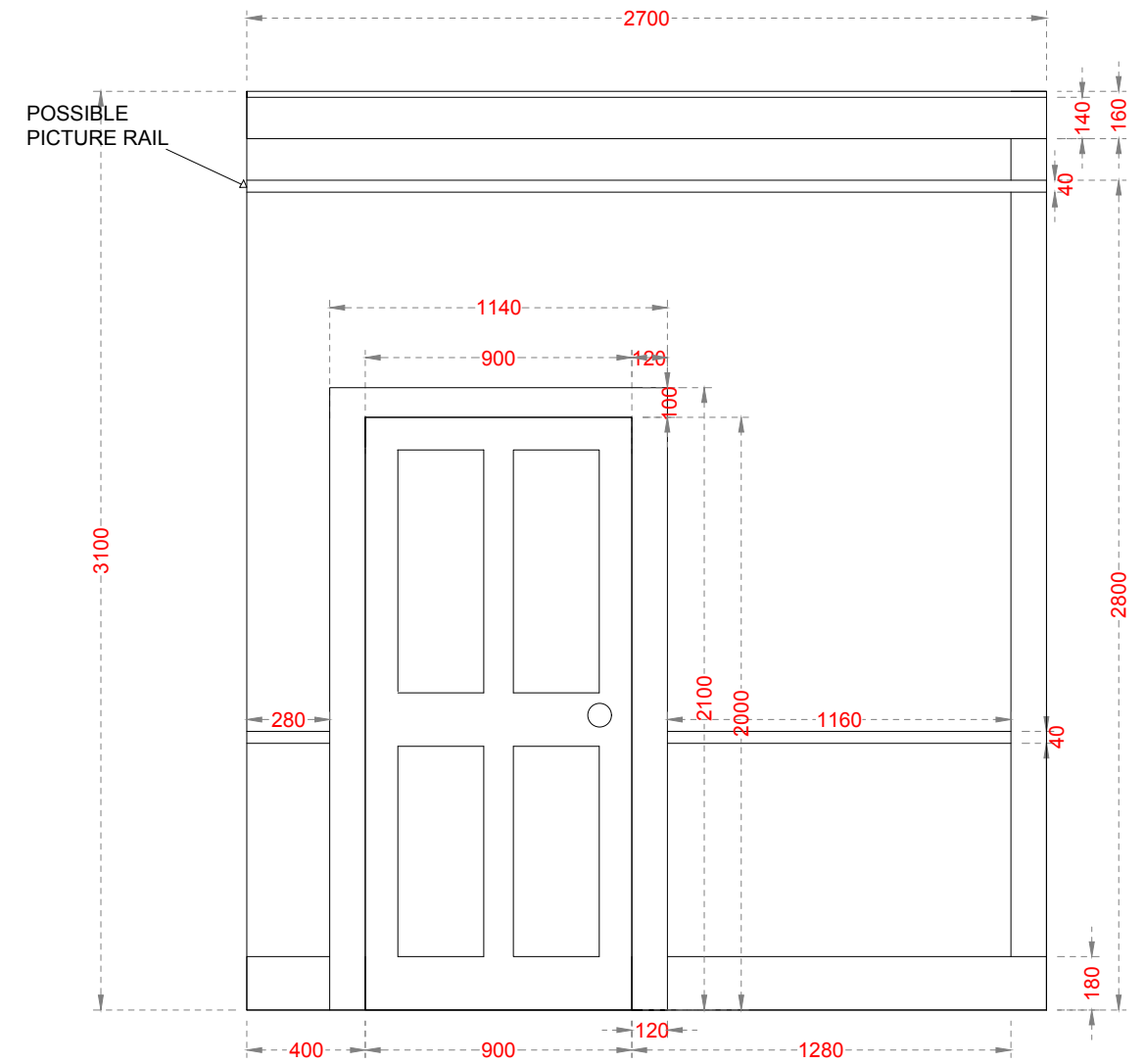
# ELEVATION - STAGE RIGHT

## DOOR DETAILS

### FRONT ON



### SIDE VIEW



**PLEASE NOTE**

NO LIABILITY IS ACCEPTED FOR ANY ACTION RESULTING FROM THIS DRAWING, HOWEVER CAUSED. THIS DRAWING REPRESENTS VISUAL CONCEPTS AND CONSTRUCTION SUGGESTIONS ONLY. THE DRAUGHTSPERSON IS UNQUALIFIED TO DETERMINE STRUCTURAL APPROPRIATENESS OF THIS DESIGN AND WILL NOT BE RESPONSIBLE FOR IMPROPER ENGINEERING, CONSTRUCTION, RIGGING, HANDLING OR USE OF THIS SCENERY. IF PROFESSIONAL ADVICE/ DOCUMENTATION IS RECOMMENDED, IT MUST BE SOUGHT. ALL MATERIALS AND CONSTRUCTION MUST COMPLY WITH LOCAL FIRE AND SAFETY REGULATIONS. IF IN DOUBT... ASK!

ALL DIMENSIONS IN MM UNLESS STATED OTHERWISE. DO NOT SCALE FROM THIS DRAWING AND VERIFY ALL DIMENSIONS ON SITE.

#DEPT

luned@nationaltheatre.org.uk

PROJECT:  
#PROJECT Y TAD

SHEET TITLE:  
INGS.dwg  
####

DIRECTOR:  
#DIRARWEL GRUFFYDD#LX  
DESIGNER:  
#DES ERIN MADDOCKS#SND

LIGHTING DESIGNER:  
#PMANGHARAD DAVIES#LUNED

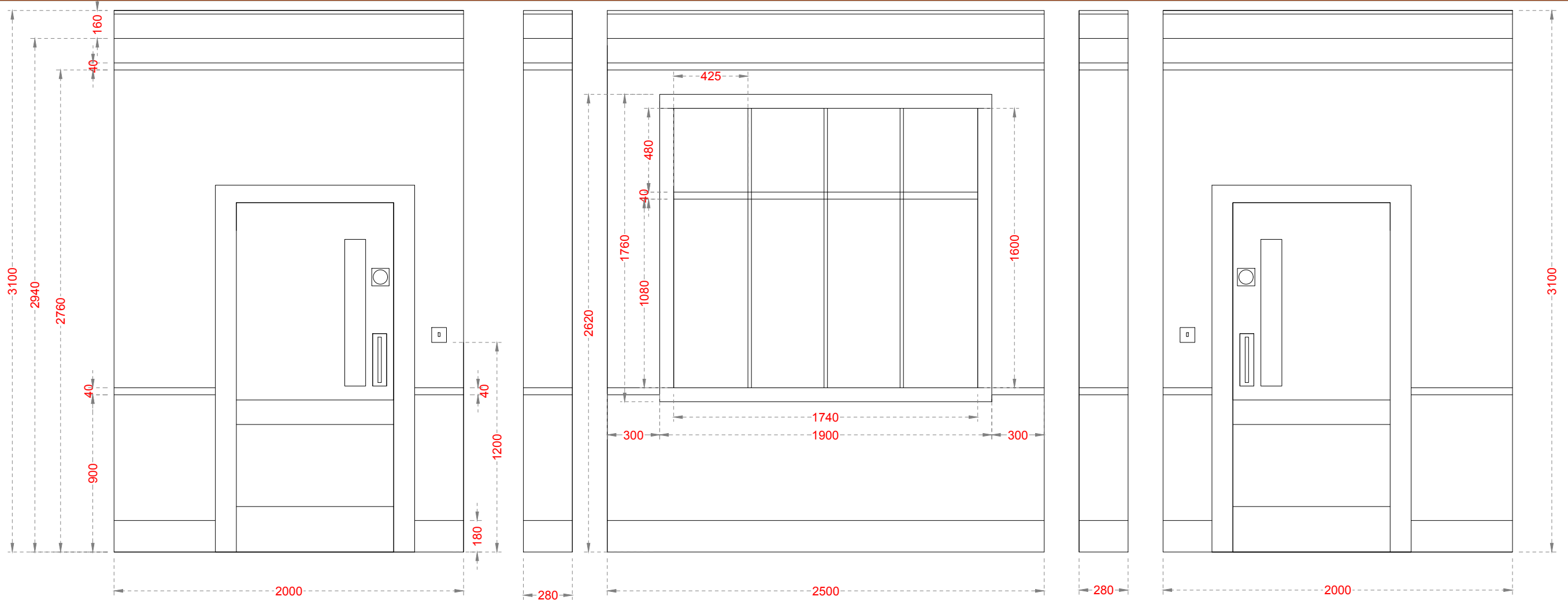
PRODUCTION MANAGER:  
#3DOFFICE X####

VENUE:  
#VENUE VARIOUS  
DRAWN BY:  
APPROVED BY:  
NOT CHECKED

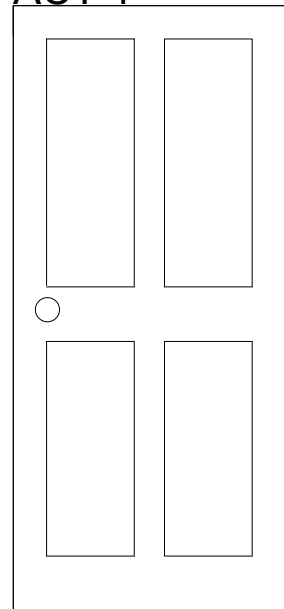
**PROVISIONAL**

DATE: 11/01/18  
SCALE: Custom1.25

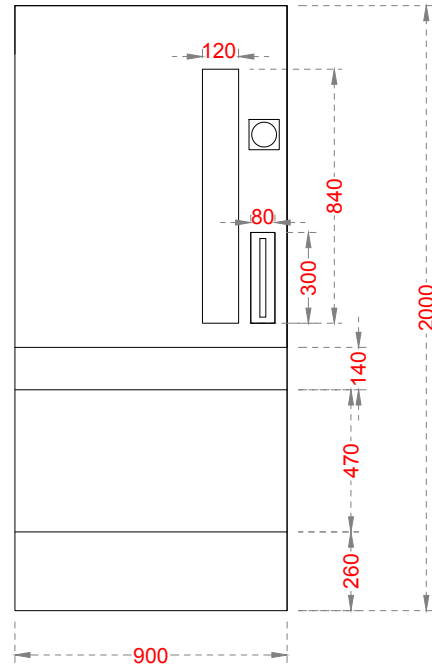
REF. NUMBER:  
Y TAD/CAD/DRA## /9



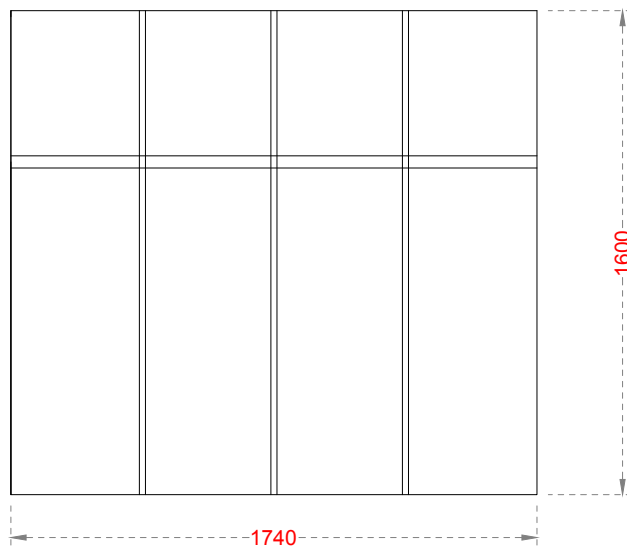
BACK OF DOOR  
ACT 1



FRONT OF DOOR  
ACT 2



WINDOW



PLEASE NOTE

NO LIABILITY IS ACCEPTED FOR ANY ACTION RESULTING FROM THIS DRAWING, HOWEVER CAUSED. THIS DRAWING REPRESENTS VISUAL CONCEPTS AND CONSTRUCTION SUGGESTIONS ONLY. THE DRAUGHTSPERSON IS UNQUALIFIED TO DETERMINE STRUCTURAL APPROPRIATENESS OF THIS DESIGN AND WILL NOT BE RESPONSIBLE FOR IMPROPER ENGINEERING, CONSTRUCTION, RIGGING, HANDLING OR USE OF THIS SCENERY. IF PROFESSIONAL ADVICE/ DOCUMENTATION IS RECOMMENDED, IT MUST BE SOUGHT. ALL MATERIALS AND CONSTRUCTION MUST COMPLY WITH LOCAL FIRE AND SAFETY REGULATIONS. IF IN DOUBT... ASK!

ALL DIMENSIONS IN MM UNLESS STATED OTHERWISE. DO NOT SCALE FROM THIS DRAWING AND VERIFY ALL DIMENSIONS ON SITE.

#DEPT

luned@nationaltheatre.org.uk

PROJECT:  
#PROJECT Y TAD

SHEET TITLE:  
INGS.dwg  
####

DIRECTOR:  
#DIRARWEL GRUFFYDD#LX  
DESIGNER:  
#DES ERIN MADDOCKS#SND

LIGHTING DESIGNER:  
#PMANGHARAD DAVIES#LUNED  
SOUND DESIGNER:  
#3DOFFICE X####

VENUE:  
#VENUE VARIOUS

PRODUCTION MANAGER:  
#PMANGHARAD DAVIES#LUNED  
3D OFFICE CONTACT:  
#3DOFFICE X####

DRAWN BY:  
#PMANGHARAD DAVIES#LUNED  
APPROVED BY:  
NOT CHECKED

PROVISIONAL

DATE: 11/01/18 SCALE: Custom1.25

REF. NUMBER: Y TAD/CAD/DRA## /9