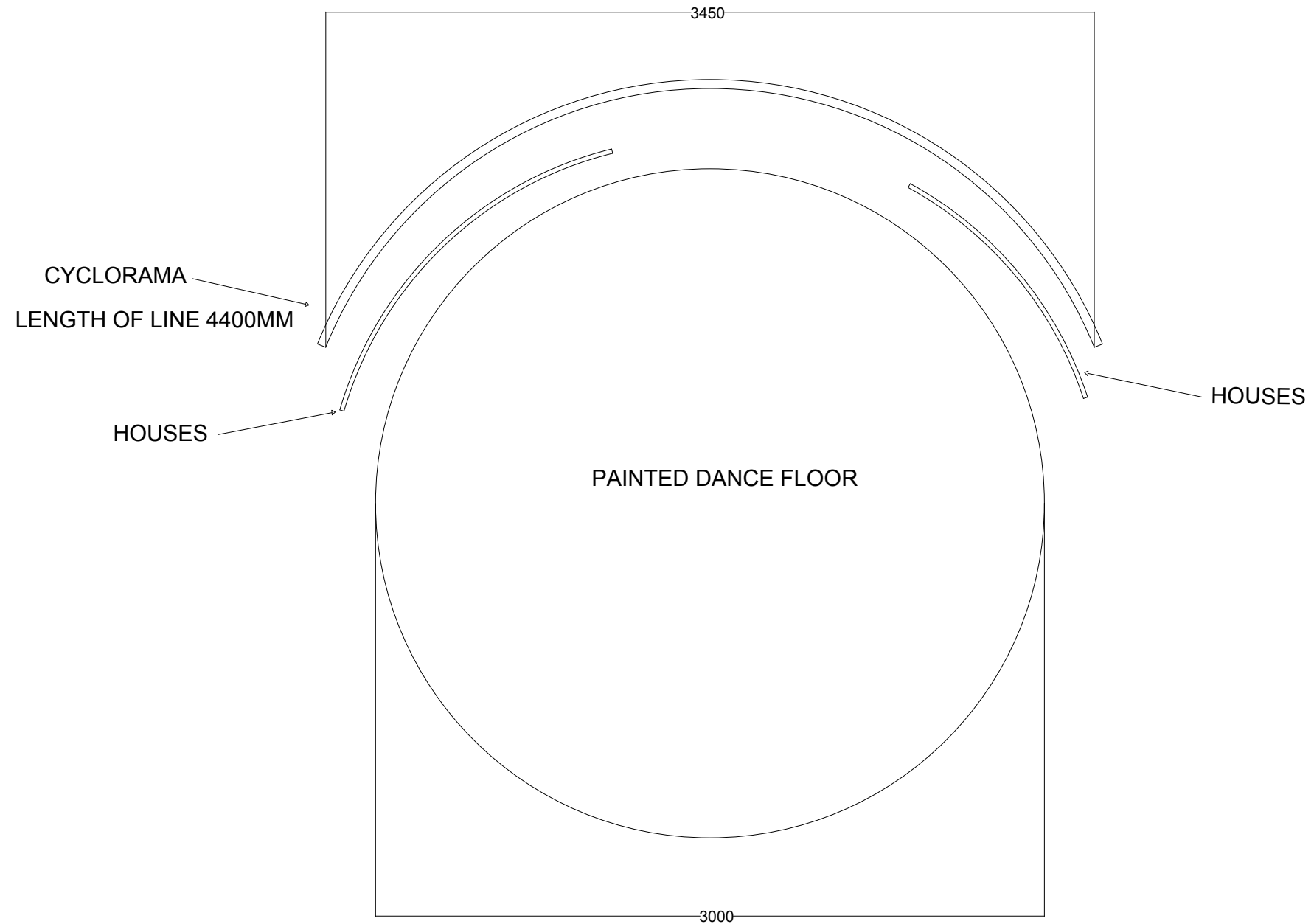


FLOOR PLAN - PERFECT SET

- *PROPOSED DRAWING ONLY NOT FINAL DESIGN*

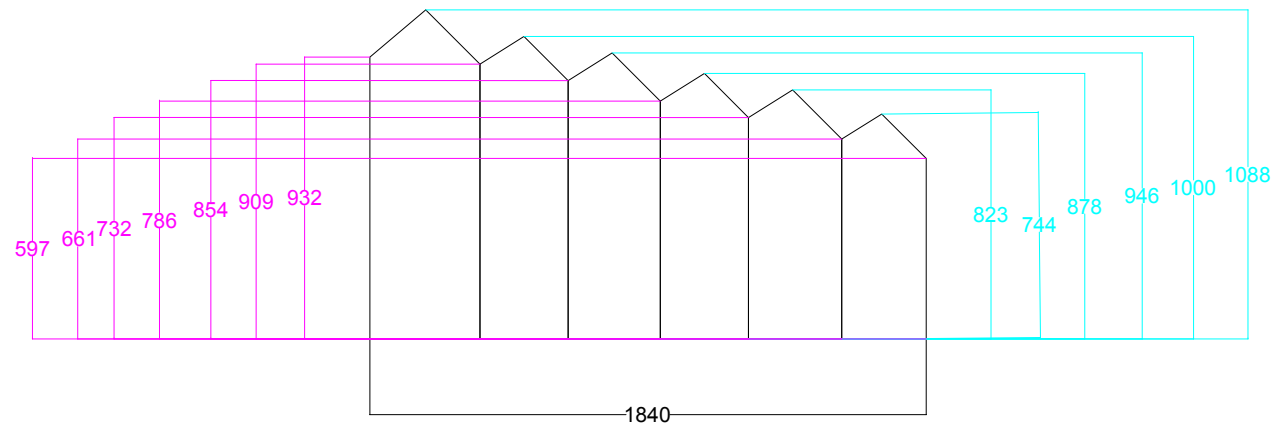


TITLE: FLOOR PLAN DRAWING		
DESIGNER: LUNED GWAWR EVANS	DATE DRAWN: 20/10/2017	DWG NO:
DIRECTOR/PRODUCER: ADAM FULLER/TESSA BIDE	SCALE: 1.25 @A3	LOCATION/STUDIO
DRAWING BY: LUNED GWAWR EVANS	REVISION NO/DATE:	

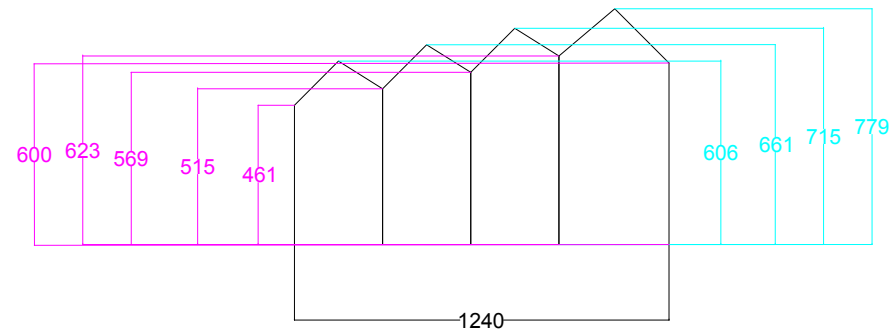
HOUSES

- HOUSES TO BE MADE OF 12MM PLY WOOD (TO BE DISCUSSED)
- HINGES TO BE BETWEEN EACH HOUSE PANEL AT BACK OF PANELS
- *SEE MODEL FOR REFERENCE*
- GAP OF 5MM-10MM BETWEEN EACH PANEL AS NEEDS TO CURVE TO MATCH FLOOR CURVE AND CYCE
- WHEN TOURING - TO BE MADE INTO CONSERTINA?
- *PROPOSED DRAWING ONLY NOT FINAL DESIGN*

STAGE RIGHT



STAGE LEFT



TITLE: HOUSES ELEVATION DRAWING

DESIGNER:
LUNED GAWR EVANS

DATE DRAWN:
20/10/2017

DWG NO:

DIRECTOR/PRODUCER:
ADAM FULLER/TESSA BIDE

SCALE 1.25 @A3:

LOCATION/STUDIO

DRAWING BY:
LUNED GAWR EVANS

REVISION NO/DATE:

CYCLORAMA

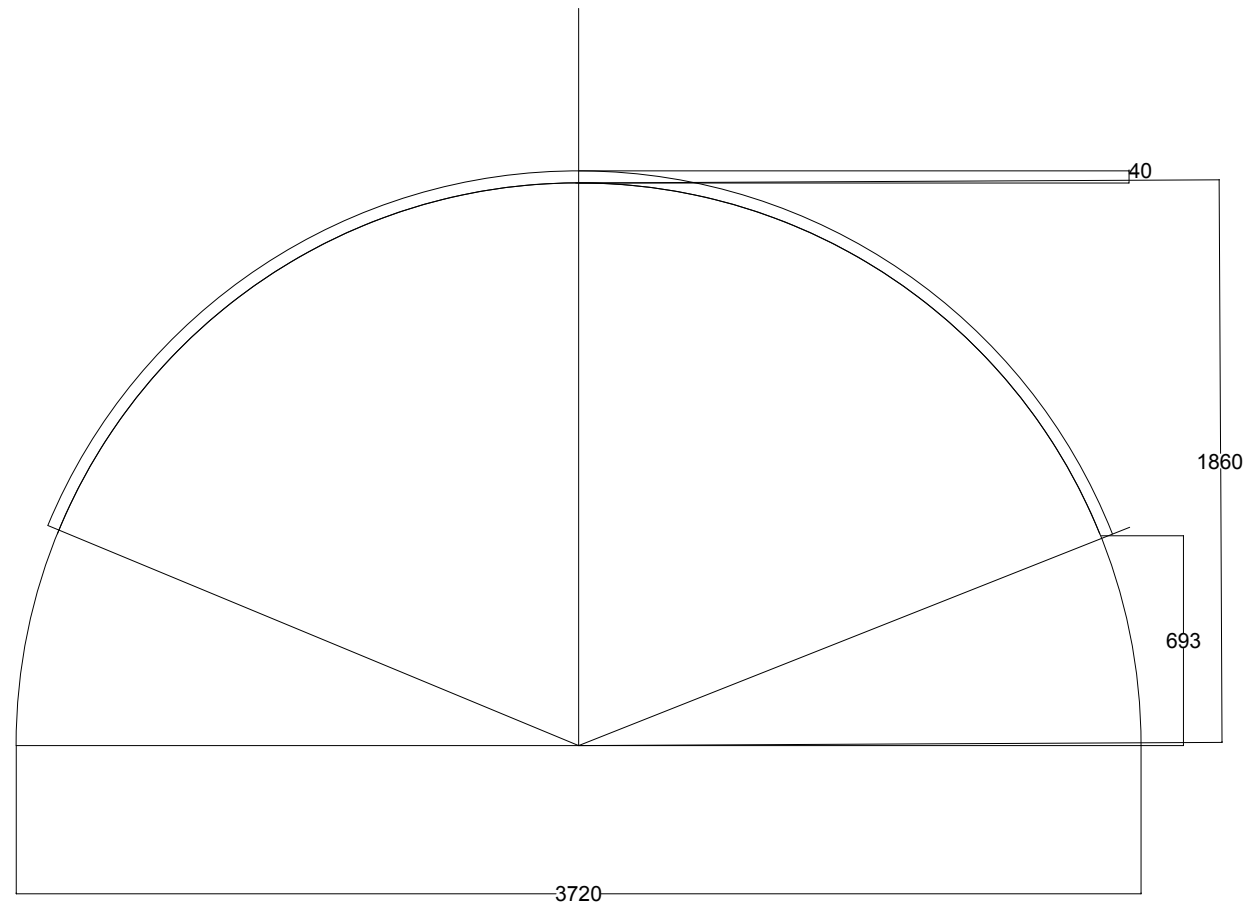
- TO BE MADE OF COTTON OR OTHER LIGHT WEIGHT MATERIAL THAT CAN SHOW SHADOWS WELL/BE PROJECTED ONTO
- TO BE CURVED LIKE IN FLOOR PLAN DRAWING TO MATCH THE DANCE FLOOR CIRCLE
- FOR CURVE POSSIBLE USE OF TENT FIBRE GLASS RODS FOR TOURING PURPOSES.
- *PROPOSED DRAWING ONLY NOT FINAL DESIGN*



TITLE: CYCLORAMA ELEVATION DRAWING		
DESIGNER: LUNED GAWWR EVANS	DATE DRAWN: 20/10/2017	DWG NO:
DIRECTOR/PRODUCER: ADAM FULLER/TESSA BIDE	SCALE: 1.25 @A3	LOCATION/STUDIO
DRAWING BY: LUNED GAWWR EVANS	REVISION NO/DATE:	

CYCLORAMA DETAIL 1

- ANGLE FROM BOTTOM OF ARC TO START OF CYCE IS 20 DEGREES
- WHEN PRINTED TO SCALE CAN BE MEASURED ACCURATELY
- TO BE MADE OF LIGHTER STEEL/ALUMINIUM?
- 3D VERSIONS ADDED TO PDF *SEE DRAWING PDF*

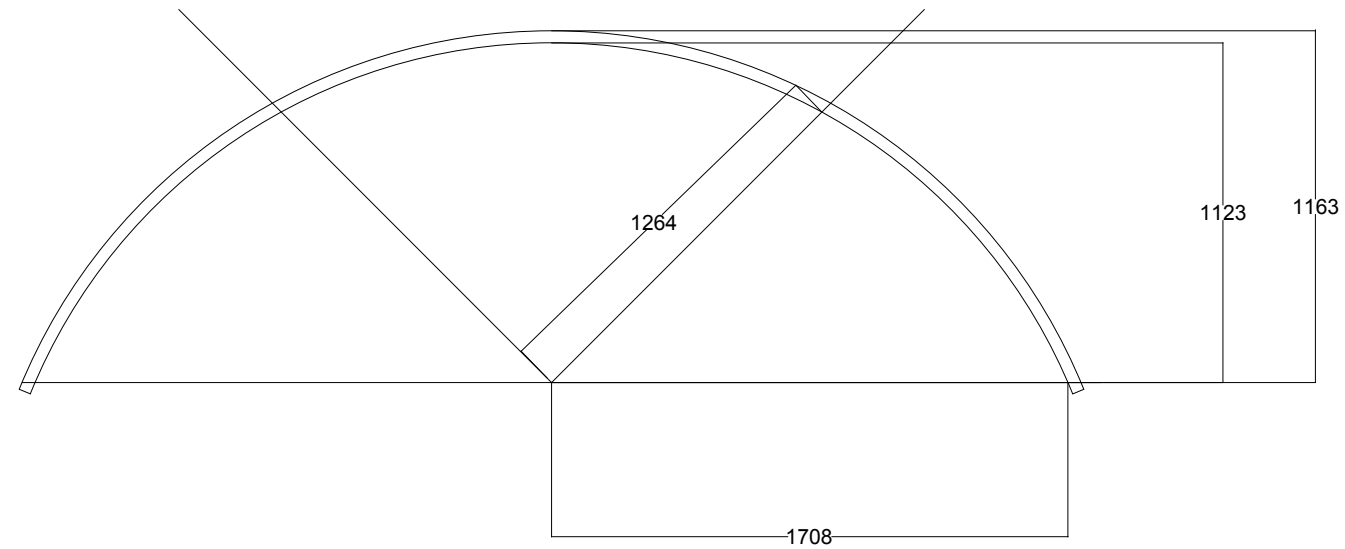


O

TITLE: CYCLORAMA DETAIL 1		
DESIGNER: LUNED GAWR EVANS	DATE DRAWN: 09/01/2018	DWG NO:
DIRECTOR/PRODUCER: ADAM FULLER/TESSA BIDE	SCALE: 1.25 @A3	LOCATION/STUDIO
DRAWING BY: LUNED GAWR EVANS	REVISION NO/DATE:	

CYCLORAMA DETAIL 2

- TO BE TOURED IN AN ESTATE CAR (MEASUREMENTS AVAILABLE)
- NEED TO BE BROKEN DOWN INTO SMALLER PARTS
- 40MM STEEL BAR WITH INSERTED 35MM TO SLOT INTO EACH OTHER AND BOLTED AT THOSE POINTS.
-



40MM STEEL BAR WITH INSERTED 35MM TO SLOT INTO EACH OTHER AND BOLTED AT THOSE POINTS.

TITLE: CYCLORAMA DETAIL DRAWING 2		
DESIGNER: LUNED GWAWR EVANS	DATE DRAWN: 09/01/2018	DWG NO:
DIRECTOR/PRODUCER: ADAM FULLER/TESSA BIDE	SCALE: 1.25 @A3	LOCATION/STUDIO
DRAWING BY: LUNED GWAWR EVANS	REVISION NO/DATE:	

